

ILLUSTRATED SHOWING  
TYPE R  
ROTA-LIFT  
EASING GEAR

### PARTS LIST & MATERIAL SPECIFICATION

1	BODY	BRASS BS2874 CZ121
2	TUTCHTITE SEAL	SUIT APPLICATION
3	SEAL RETAINER	BRASS BS2874 CZ121
4	SPINDLE/PLUNGER	BRASS BS2874 CZ121
5	SPRING	ST.STL BS2056 302S26
6	ADJUSTER	BRASS BS2874 CZ121
7	CAP	BRASS BS2874 CZ121
8	NAMEPLATE	AL. ALLOY
9	WIRE & SEAL	ST.STL & LEAD
10	ADAPTOR	ST.STL.
11	DOWTY SEAL	NITRILE / VITON

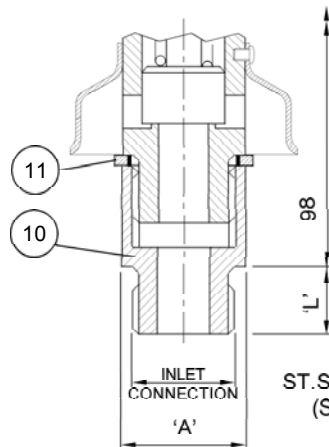
### APPROVALS

Ad 2000-Merkblatt A2: (TÜV Germany) Ref - TÜV.SV.\*\*-685.8.0.D/G.0.70.p.

P.E.D.2014/68/EU

Type examination module B, Cert. No. 01 202 642-B-10015

Quality management system module D, Cert. No. COV0812369/01



ST.STL. ADAPTOR & SHROUD  
(SHROUD OPTION ONLY  
AVAILABLE ON  
62682 TYPE)

### TECHNICAL DATA

Relieving pressure = Set pressure + 10%

Reseating pressure = Set pressure - 10%

Maximum set pressure = 55 Bar.g

Minimum set pressure = 14.5 Bar.g

Flow area = 50.27 mm<sup>2</sup>

Inlet bore diameter = 8.0 mm

BS Derated coefficient of discharge  $K_{dr}$  = 0.78

TÜV allotted outflow coefficient  $\alpha_w$  = 0.70

BS Minimum lift at 10% overpressure = 2.5 mm

Temperature Range = -30°C to 200°C subject to seal material.

Stable operation on flows down to 80% of valve rated capacity.

FOR FURTHER INFORMATION, INSTALLATION AND OPERATION INSTRUCTIONS, CONVERSION FACTORS ETC.

SEE TECHNICAL INFORMATION SECTION.



**SEETRU LIMITED**

ALBION DOCKSIDE WORKS, BRISTOL. BS1 6UT

TELEPHONE +44 (0) 117 930 6100, FAX +44 (0) 117 929 8193

www.seetru.com info@seetru.com

8mm Nom. Bore BRASS CONSTRUCTION  
DIRECT SPRING LOADED ATMOSPHERIC  
DISCHARGE SAFETY VALVE FOR  
COMPRESSED AIR OR GASES

ATMOSPHERIC DISCHARGE  
SERIES M/1  
TYPE 61682  
TYPE 62682

SHEET 1 OF 2 SHEETS

## FLOW CHART

- TO CALCULATE INTERMEDIATE FLOWS SEE TECHNICAL INFORMATION SECTION.

- FOR GREATER FLOWS REFER TO 10mm BORE TYPE 61610 DATA SHEET.

SET PRESSURE Bar.g	14.5	15	16	17	18	19	20	25	30	35	40	45	50	55
CERTIFIED DISCHARGE CAPACITY IN ACCORDANCE WITH BS 6759, AIR AT 15°C AND 1013 mbar Std.Litres/s	128	132	140	149	157	165	173	215	256	298	339	380	422	463
CERTIFIED DISCHARGE CAPACITY IN ACCORDANCE WITH TÜV, AIR AT 0°C AND 1013 mbar Normal m³/h	406.5	420.0	446.1	472.4	498.8	525.2	551.5	683.4	815.2	947.0	1079	1211	1343	1474

## VALVE SELECTION CHART

Standard sizes shown, other sizes may be available.

INLET CONNECTION	ORDERING CODE	TOP FITTING CODE		DIM'N 'A' A/F HEX (mm)	DIM'N 'A' A/F HEX (mm) ADAPTOR	INLET THR'D DIM'N 'L' 61682	INLET THR'D DIM'N 'L' ADAPTOR
		R	WITH ST.STL. ADAPTOR				
* R 1/4 (1/4" BSP TAPER)	61682 62682	0023	5153	26.0	25.6	16	12
* 1/4" NPT		0033	5163				
* G 3/8 (3/8" BSP PARALLEL)		0043	5173			12.5	10
R 3/8 (3/8" BSP TAPER)		0053	5183				
3/8" NPT		0063	5193			16	12.5 15.3
G 1/2 (1/2" BSP PARALLEL)		0073	5203				
R 1/2 (1/2" BSP TAPER)		0083	5483			14.5	12
1/2" NPT		0093	5493				

\* MAX TIGHTENING TORQUE 14Nm

Example:

Ordering code 61682 008 3 is Rotalift easing gear. 1/2" BSP taper inlet connection Viton® seals and wirelocked. Last digit of order code calls up Viton® seal (since this is the most universal type).

When other material is required last digit changes to:-

1. NITRILE
3. VITON®
5. NEOPRENE
6. ETHYLENE PROPYLENE



For advice on seal selection refer to Technical Information Section A.

SHEET 2 OF 2 SHEETS

**SEETRU LIMITED**

ALBION DOCKSIDE WORKS, BRISTOL. BS1 6UT

TELEPHONE +44 (0) 117 930 6100, FAX +44 (0) 117 929 8193

www.seetru.com info@seetru.com

8mm Nom. Bore BRASS CONSTRUCTION  
DIRECT SPRING LOADED ATMOSPHERIC  
DISCHARGE SAFETY VALVE FOR  
COMPRESSED AIR OR GASES

ATMOSPHERIC DISCHARGE  
SERIES M/1  
TYPE 61682  
TYPE 62682