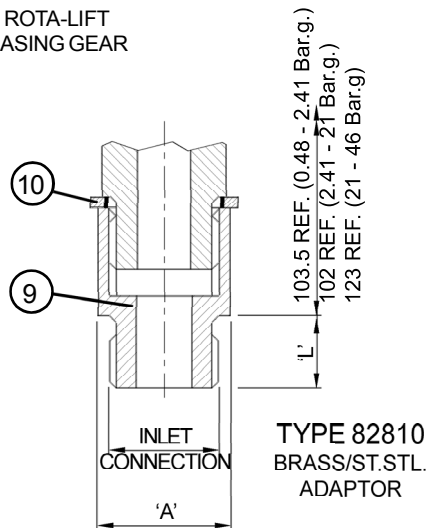


ILLUSTRATED SHOWING
81810
TYPE R
ROTA-LIFT
EASING GEAR



TYPE 82810
BRASS/ST.STL.
ADAPTOR

PARTS LIST & MATERIAL SPECIFICATION

		81810, 81710, 81110	82810, 82710, 82110
1	BODY	BRASS BS EN 12164 CW614N	
2	ELASTOMER SEAL	VITON	
3	PLUNGER	BRASS BS EN 12164 CW614N	
4	SPRING	ST.STL BS EN 10207-3 1.4310 (302)	
5	ADJUSTER	BRASS BS EN 12164 CW614N	
6	LIFTING CAP	BRASS BS EN 12164 CW614N	
7	NAMEPLATE	AL.ALLOY	
8	WIRE & SEAL	ST.STL & LEAD	
9	ADAPTOR	N/A	ST.STL.
10	DOWTY SEAL	N/A	VITON

APPROVALS

AD 2000-Merkblatt A2: TÜV.SV.**-893.10.D/G. * .p. [* = Variable α_w below 3 Bar.g.]

Designed in accordance with BS EN ISO 4126-1.

P.E.D. 2014/68/EU

Type examination module B, Cert. No. 01 202 642-B-10015

Quality management system module D, Cert. No. COV0812369/01

Meeting the requirements of the A.S.M.E Boiler & Pressure Vessel code section VIII for air/gas.

UV Cert. of Authorisation: 35757

Capacities certified by the National Board of Boiler & Pressure Vessel Inspectors.

TECHNICAL DATA

Relieving pressure	= Set pressure +10% (0.1 Bar.g below 1.0 Bar.g.)
Reseating pressure	= Set pressure -10% (0.3 Bar.g below 3.0 Bar.g.)
Maximum Set pressure	= 46.0 Bar.g
Minimum Set pressure	= 0.48 Bar.g (A.S.M.E. 2.4 Bar.g.)
Flow area	= 78.54 mm ²
Inlet bore diameter	= 10 mm
Temperature range	= -15°C to 200°C
Alloted outflow coefficient α_w	= 0.67 From 2.4 Bar.g.
Alloted outflow coefficient α_w	= Below 2.4 Bar.g see graph.
NB Certified rated slope	= 1.66 scfm/psia
Minimum lift at 10% over pressure	= 2.1mm

FOR FURTHER TECHNICAL INFORMATION, CONVERSION FACTORS, INSTALLATION AND OPERATING INSTRUCTIONS ETC. SEE TECHNICAL INFORMATION SECTION.

SHEET 1 OF 3 SHEETS



SEETRU LIMITED

ALBION DOCKSIDE WORKS, BRISTOL. BS1 6UT

TELEPHONE +44 (0) 117 930 6100, FAX +44 (0) 117 929 8193

www.seetru.com info@seetru.com

10mm Nom. Bore BRASS CONSTRUCTION
DIRECT SPRING LOADED ATMOSPHERIC
DISCHARGE SAFETY VALVE FOR
COMPRESSED AIR OR GASES

SERIES VALVE
TYPE 81810, 81710, 81110
BRASS
TYPE 82810, 82710, 82110
BRASS/ST.STL. ADAPTOR

FLOW CHART (P.E.D.)

- TO CALCULATE INTERMEDIATE FLOWS SEE TECHNICAL INFORMATION SECTION

- FOR GREATER FLOWS REFER TO 13mm BORE TYPE 81813 DATA SHEET, FOR LOWER FLOWS REFER TO 8mm BORE TYPE 81808 DATA SHEET

SET PRESSURE (Bar.g)	PRESSURE RANGE																							
	BELOW 2.4 BAR.G			ABOVE 2.4 BAR.G																				
	0.48	1	2	3	4	5	6	7	8	9	10	11	12	13	14	15	20	25	30	35	40	45	46	
RATED DISCHARGE CAPACITY IN ACCORDANCE WITH BS EN 4126, AIR AT 15°C AND 1013 mbar Std.Litres/s	18	23	33	43	54	65	77	88	100	111	122	133	144	155	167	178	232	288	344	400	455	511	522	
RATED DISCHARGE CAPACITY IN ACCORDANCE WITH TÜV, AIR AT 0°C AND 1013mbar Normal m³/h	28.5	66.7	108	154.6	194.0	233.5	272.8	312.3	351.7	391.2	430.6	470.0	509.4	548.9	588.3	627.7	824.9	1022	1219	1416	1613	1811	1850	

FLOW CHART (A.S.M.E.)

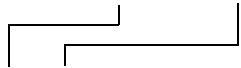
SET PRESSURE Psig	35	40	50	60	70	80	90	100	150	200	250	300	350	400	450	500	550	600	650	667
RATED DISCHARGE CAPACITY IN ACCORDANCE WITH A.S.M.E. AIR AT 60°F AND 14.7 psia/scfm	88	97	116	134	152	170	189	207	298	390	481	572	664	755	846	937	1029	1120	1211	1242

VALVE TYPE OPTIONS:

- 81810, 82810 = TUV, B.S. (P.E.D.)
- 81710, 82710 = A.S.M.E. & N.B.
- 81110, 82110 = A.S.M.E. & N.B., TUV, B.S. (P.E.D.)

VALVE SELECTION CHART

INLET CONNECTION	ORDERING CODE	TOP FITTING CODE	81 TYPE DIM'N 'A' A/F HEX (mm)	81 TYPE HIGH P DIM'N 'A' A/F HEX (mm)	82 TYPE DIM'N 'A' A/F HEX (mm)	82 TYPE HIGH P DIM'N 'A' A/F HEX (mm)	81 TYPE 82 TYPE INLET THR'D DIM'N 'L'
		R					
G 1/2 (1/2" BSP PARALLEL)	81810 81710 81110	0873	24	27.9	25.6	27.9	14
R 1/2 (1/2" BSP TAPER)		0883					15
1/2" NPT		0893					15
G 3/4 (3/4" BSP PARALLEL)	82810 82710 82110	0903	30	30	30	30	14
R 3/4 (3/4" BSP TAPER)		0913					19
3/4" NPT		0923					19



Example: Ordering code 81810 091 3 is:- Wirelocked Rota-Lift type construction, with 10mm bore, 3/4" BSP Taper inlet connection and Viton® seals.

Note: This range of products are available with Viton® seals only.



SEETRU LIMITED

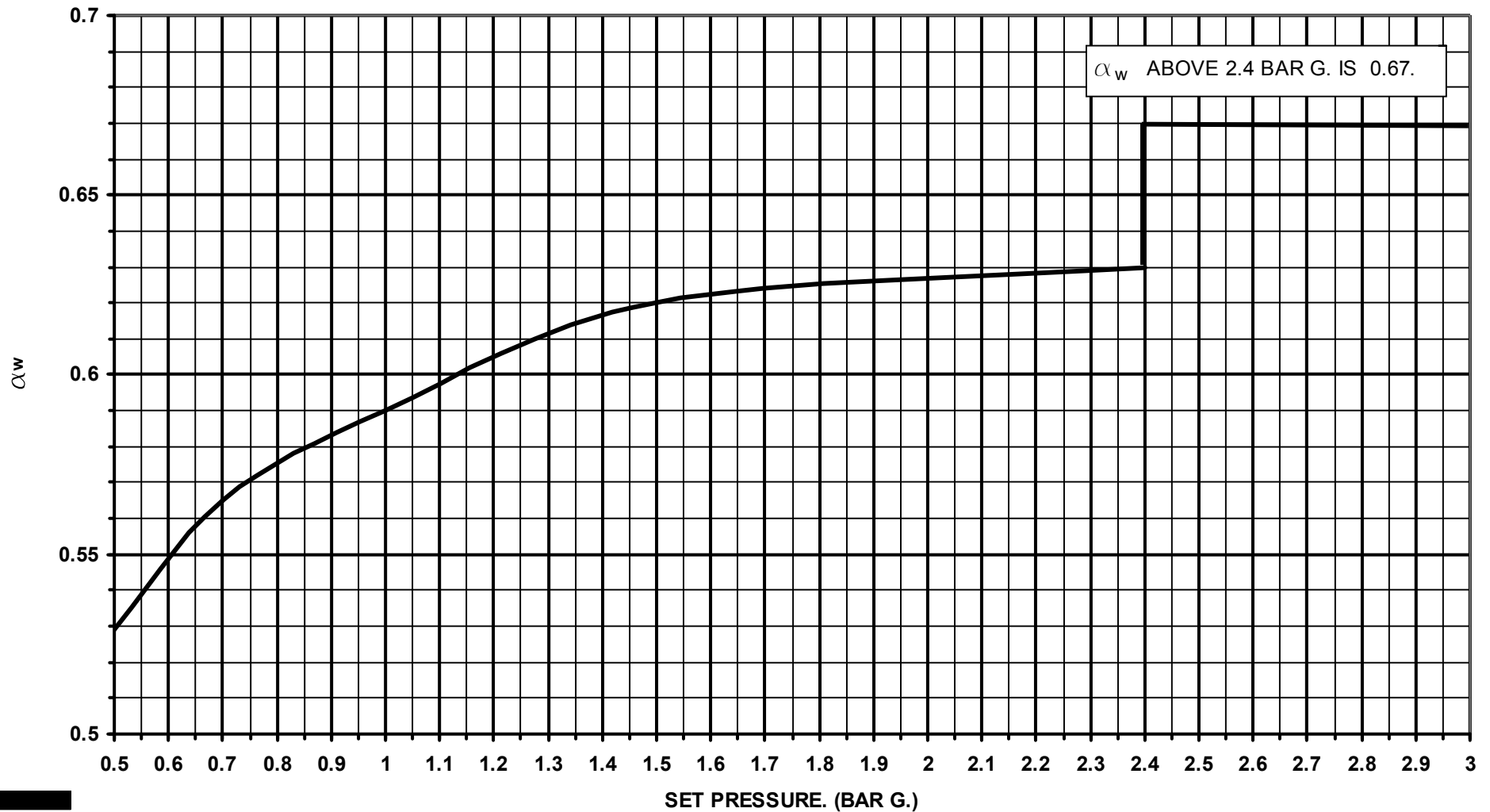
ALBION DOCKSIDE WORKS, BRISTOL. BS1 6UT
 TELEPHONE +44 (0) 117 930 6100, FAX +44 (0) 117 929 8193
 www.seetru.com info@seetru.com

10mm Nom. Bore BRASS CONSTRUCTION
 DIRECT SPRING LOADED ATMOSPHERIC
 DISCHARGE SAFETY VALVE FOR
 COMPRESSED AIR OR GASES

SHEET 2 OF 3 SHEETS

SERIE E VALVE
 TYPE 81810, 81710, 81110
 BRASS
 TYPE 82810, 82710, 82110
 BRASS/ST.STL. ADAPTOR

ALLOTTED OUTFLOW COEFFICIENT FOR SET PRESSURES BELOW 2.4 BAR G.



SEETRU LIMITED
 ALBION DOCKSIDE WORKS, BRISTOL. BS1 6UT
 TELEPHONE +44 (0) 117 930 6100, FAX +44 (0) 117 929 8193
 www.seetru.com info@seetru.com

10mm Nom. Bore BRASS CONSTRUCTION
 DIRECT SPRING LOADED ATMOSPHERIC
 DISCHARGE SAFETY VALVE FOR
 COMPRESSED AIR OR GASES

SERIE E VALVE
 TYPE 81810, 81710, 81110
 BRASS
 TYPE 82810, 82710, 82110
 BRASS/ST.STL. ADAPTOR

SHEET 3 OF 3 SHEETS