

DIFFERENTIAL PRESSURE GAUGE

with or without contacts
Pressure levels PN40/PN100



Nominal diameter ND 100, NG 160



Description

This differential pressure gauges are suitable for overpressure, vacuum and differential pressure measurements in the field of industrial measurement technology.

These measuring instruments are suitable for liquid and gaseous media in so far as these are not aggressive or highly viscous and do not crystallise.

Applications

chemical industry
petrochemical industry
Process engineering
Marine- and offshore technology
Plant engineering
Power plant technology

Merkmale

- highly corrosion resistant
- wear-free measuring unit
- rinsable pressure chambers

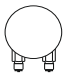
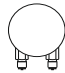
Ranges

0 ... 40 mbar up to 0 ... 25 bar

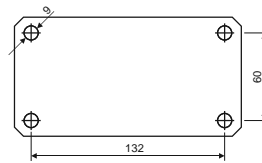
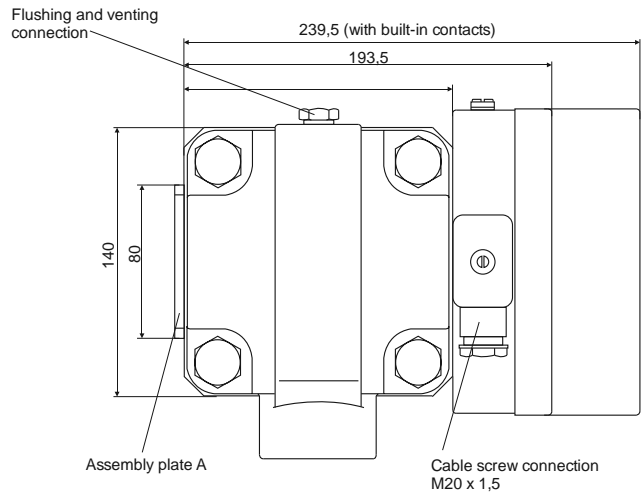
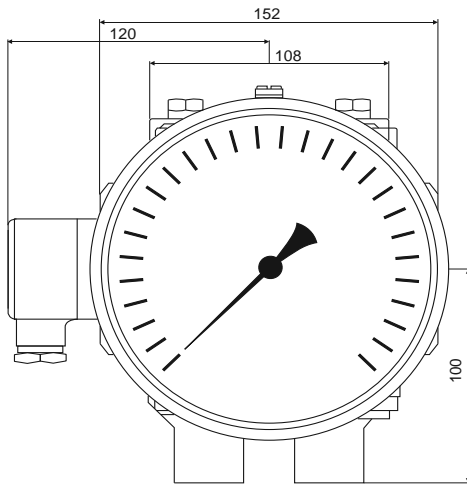
different pressure connection

- Flange connection G $\frac{1}{2}$ female
- $\frac{1}{4}$ NPT, $\frac{1}{2}$ NPT female
- G $\frac{1}{2}$ male
- $\frac{1}{4}$ NPT, $\frac{1}{2}$ NPT male
- Cutting ring screw connection for 12mm pipe

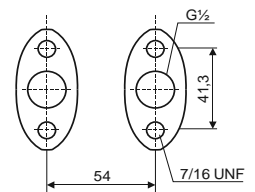
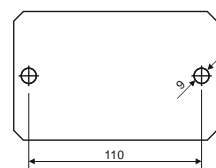
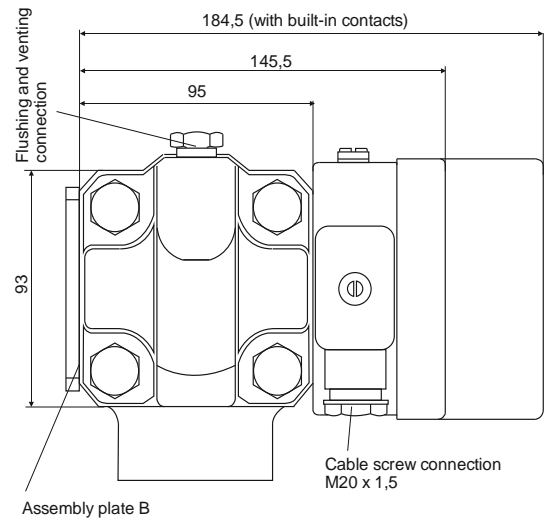
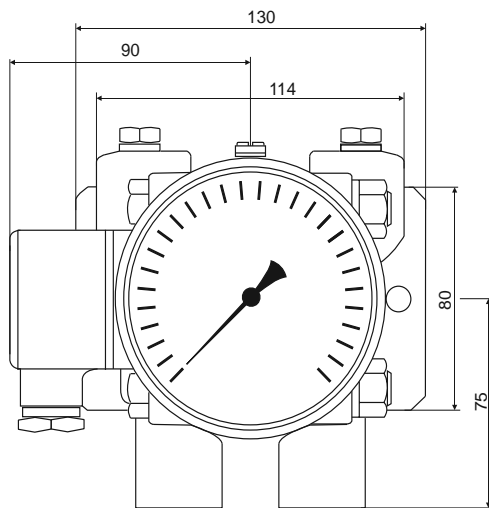
Technical data

Type	5593		Options
Symbol	Measuring cell Ø130 mm 	Measuring cell Ø75 mm 	
Nominal diameter	100		ND 160
Accuracy class	± 1,6%		
Differential pressure ranges	0 ...25 mbar up to 0 ... 400 mbar	0 ...0,6 bar up to 0 ... 25 bar	others on request
Nominal Pressure	PN40		PN100
Overload capability	on-sided over-pressure-proof up to the rated pressure of the measuring system resistance to under-pressure on the (+) and (-) side		
Case and Movement	CrNi-steel 1.4301 (AISI 304), bayonet		Case 1.4571
Measuring system	Pressure caps (PC) 1.4404 Measuring membranes (MM) ≤400 mbar 1.4571 ≥ 0,6 bar DURATHERM®		DK Hastelloy® C276/ MMHastelloy® C276 or DK 1.4404 / MM Hastelloy® C276
Window	Safety laminated glass		
Dial and pointer	Aluminium		Special scales, Marker pointer, Trailing pointer (from 60 mbar, not with contacts)
Seals	Viton® O-ring		PTFE coated
Zero-point adjustment	±25% of the measuring range		
Pressure connection	Flange connection similar to EN61518 with internal thread G½		1/4NPT, 1/2NPT female G½ male, 1/4NPT, 1/2NPT Connection pin, cutting ring screw connection of 1.4571 12 mm pipe
max. temperatures	Ambient -20...+80°C Media 100°C Storage -15...75°C		
Temperature influence	approx. 0,3%/10 K		
Protection	IP65 acc. to DIN EN 60529		
Mounting	Standard wall mounting		2" pipe mounting, panel mounting with front ring, direct panel mounting
Fluids	without contacts: glycerine with contacts: silicone oil		
Contacts	Magnetic snap-actin contact inductive contact		} ab 100 mbar

Measuring ranges 40 mbar ... 400 mbar



Measuring ranges 0,6 bar ... 25 bar



Both variants

ND160: case diameter approx. 161 mm

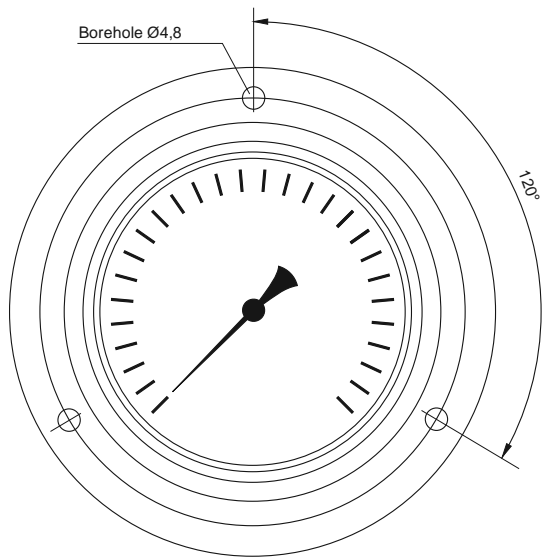
ND100: case diameter approx. 111 mm

Page 3/4

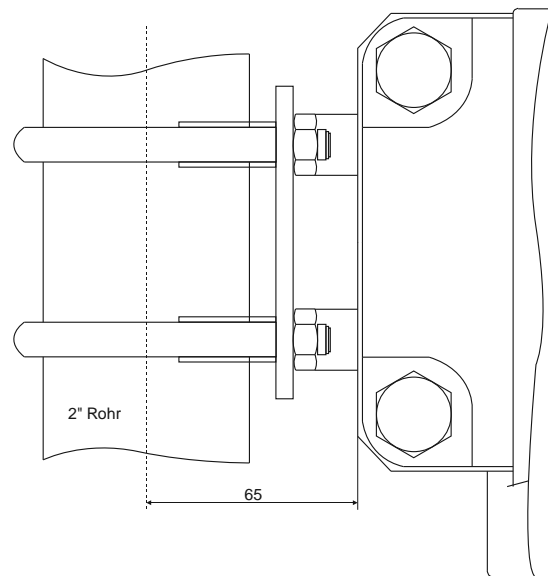
Flange connection

Options

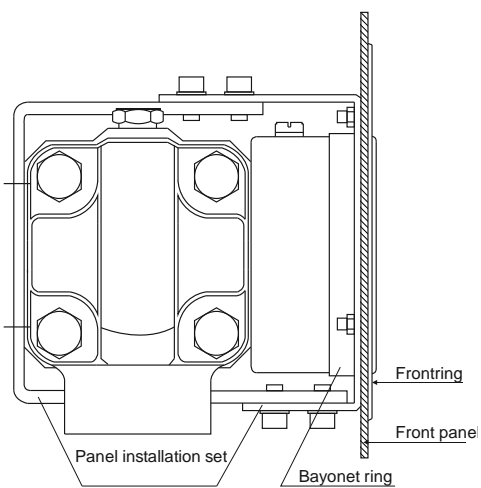
Front ring / panel cut-out



Pipe assembly



Panel installation



Direct panel mounting

